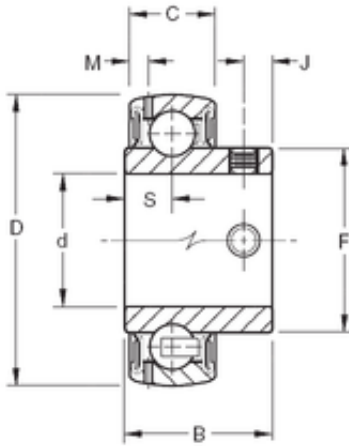




RAG Driveshaft USA CORP.



50 mm x 90 mm x 44,3 mm TIMKEN GYAE50RRB Insert Bearings Spherical OD

Bearing No. GYAE50RRB

Size	50x90x44.3 mm
Bore Diameter	50 mm
Outer Diameter	90 mm
Width	44,3 mm
d	50 mm
D	90 mm
B	44,3 mm
C	22 mm
F	62,7 mm
J	9,02 mm
M	4,44 mm
S	13,46 mm
Thread (G)	M10X1,5
Weight	0,57 Kg
Basic dynamic load rating (C)	39,2 kN

GYAE50RRB Bearing 2D drawings and 3D CAD models