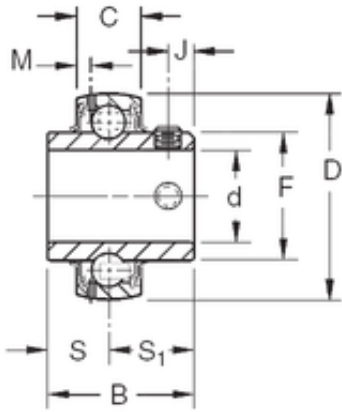




RAG Driveshaft USA CORP.



17 mm x 40 mm x 27,38 mm TIMKEN GYE17KRRB Insert Bearings Spherical OD

Bearing No. GYE17KRRB

Size	17x40x27.38 mm
Bore Diameter	17 mm
Outer Diameter	40 mm
Width	27,38 mm
d	17 mm
D	40 mm
B	27,38 mm
C	12 mm
S1	15,88 mm
F	22,86 mm
J	4,55 mm
M	2,72 mm
S	11,5 mm
Thread (G)	M5X0,8
Basic dynamic load rating (C)	10,6 kN

GYE17KRRB Bearing 2D drawings and 3D CAD models