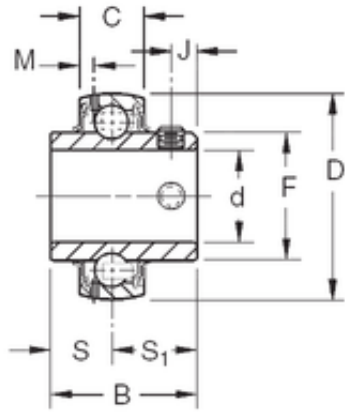




RAG Driveshaft USA CORP.

34,925 mm x 72 mm x 42,87 mm TIMKEN GY1106KRRB SGT Insert Bearings Spherical OD



Bearing No. GY1106KRRB SGT

Size	34.925x72x42.87 mm
Bore Diameter	34,925 mm
Outer Diameter	72 mm
Width	42,87 mm
d	34,925 mm
D	72 mm
B	42,87 mm
C	19 mm
S1	25,4 mm
F	46,18 mm
J	7,82 mm
M	3,68 mm
S	17,48 mm
Thread (G)	M8X1,25
Basic dynamic load rating (C)	28,5 kN

GY1106KRRB SGT Bearing 2D drawings and 3D CAD models