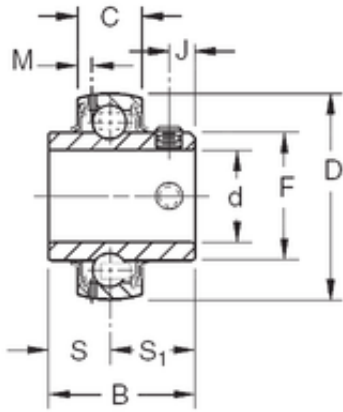




RAG Driveshaft USA CORP.

15,875 mm x 40 mm x 27,38 mm TIMKEN GY1010KRRB Insert Bearings Spherical OD



Bearing No. GY1010KRRB

Size	15.875x40x27.38 mm
Bore Diameter	15,875 mm
Outer Diameter	40 mm
Width	27,38 mm
d	15,875 mm
D	40 mm
B	27,38 mm
C	12 mm
S1	15,88 mm
F	22,86 mm
J	4,55 mm
M	2,72 mm
S	11,5 mm
Thread (G)	M5X0,8
Basic dynamic load rating (C)	10,6 kN

GY1010KRRB Bearing 2D drawings and 3D CAD models