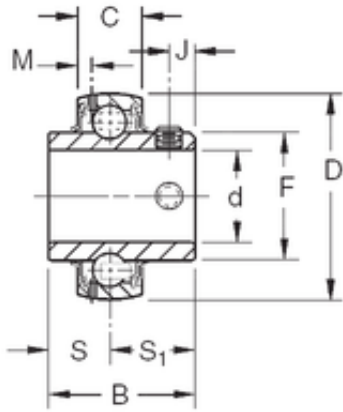




RAG Driveshaft USA CORP.

23,8125 mm x 52 mm x 34,11 mm TIMKEN GY1015KRRB SGT Insert Bearings Spherical OD



Bearing No. GY1015KRRB SGT

Size	23.8125x52x34.11 mm
Bore Diameter	23,8125 mm
Outer Diameter	52 mm
Width	34,11 mm
d	23,8125 mm
D	52 mm
B	34,11 mm
C	15 mm
S1	19,91 mm
F	33,83 mm
J	6,3 mm
M	3,86 mm
S	14,27 mm
Thread (G)	M6X1
Basic dynamic load rating (C)	15,8 kN

GY1015KRRB SGT Bearing 2D drawings and 3D CAD models