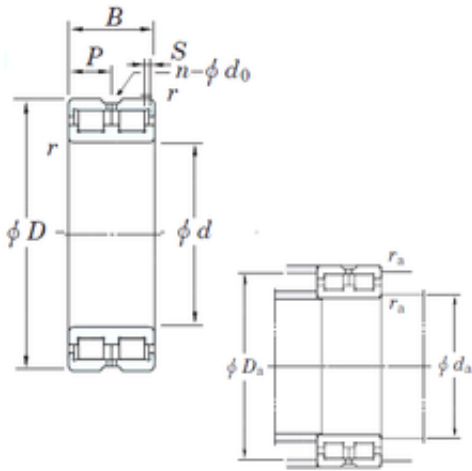




# RAG Driveshaft USA CORP.



## DC4852VW KOYO Full complement cylindrical roller bearings

Bearing No. DC4852VW

Size	260x320x60 mm
Bore Diameter	260 mm
Outer Diameter	320 mm
Width	60 mm
d	260 mm
D	320 mm
B	60 mm
C	60 mm
n	6 mm
p	30 mm
r min.	2 mm
S	4 mm
da min.	270 mm
Da max.	310 mm
ra max.	2 mm
Weight	11 Kg
Basic dynamic load rating (C)	532 kN
Bearing No.	DC4852VW
r(min)	2
Cr	532
C0r	1450
S	4 mm
P	30
n(qty)	6
do	5

DC4852VW Bearing 2D drawings and 3D CAD models



## RAG Driveshaft USA CORP.

da(min)	270
Da(max)	310
ra(max)	2
(Refer.)Mass(Fixed side)(kg)	10.6