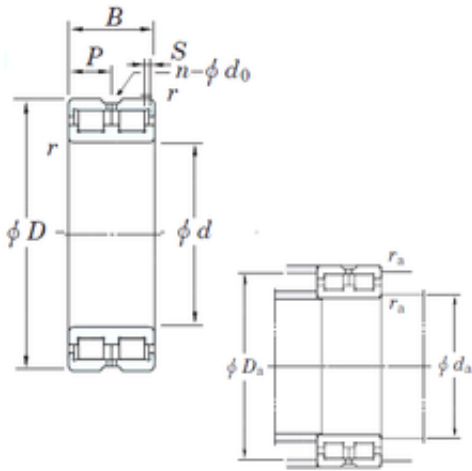




RAG Driveshaft USA CORP.



DC4872VW KOYO Full complement cylindrical roller bearings

Bearing No. DC4872VW

DC4872VW Bearing 2D drawings and 3D CAD models

Size	360x440x80 mm
Bore Diameter	360 mm
Outer Diameter	440 mm
Width	80 mm
d	360 mm
D	440 mm
B	80 mm
C	80 mm
n	8 mm
p	40 mm
r min.	2,1 mm
S	6 mm
da min.	372 mm
Da max.	428 mm
ra max.	2 mm
Weight	27 Kg
Basic dynamic load rating (C)	880 kN
Bearing No.	DC4872VW
r(min)	2.1
Cr	880
C0r	2580
S	6 mm
P	40
n(qty)	8
do	6



RAG Driveshaft USA CORP.

da(min)	372
Da(max)	428
ra(max)	2
(Refer.)Mass(Fixed side)(kg)	26.0